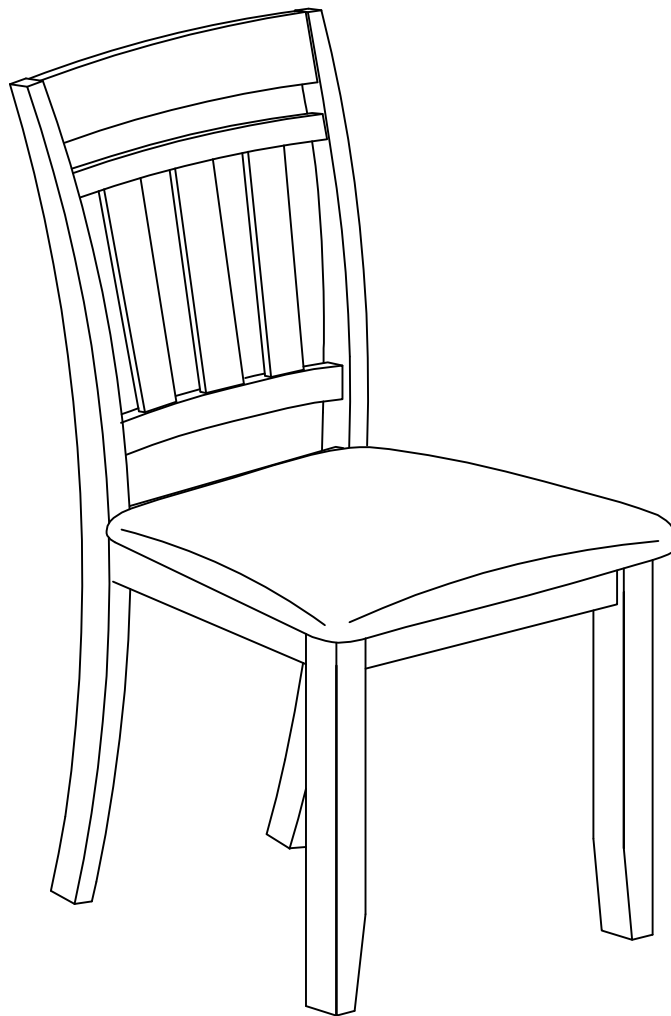
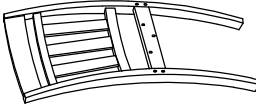
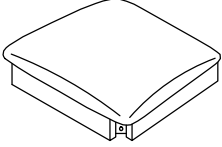
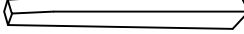
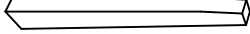




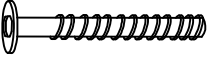
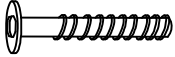
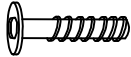
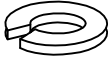

Dining Chair
CF8020




PART LIST

<p>A</p> 	<p>B</p> 	<p>C</p> 	<p>D</p> 
<p>Back 2 PCS</p>	<p>Seat 2 PCS</p>	<p>Right Leg 2 PCS</p>	<p>Left Leg 2 PCS</p>

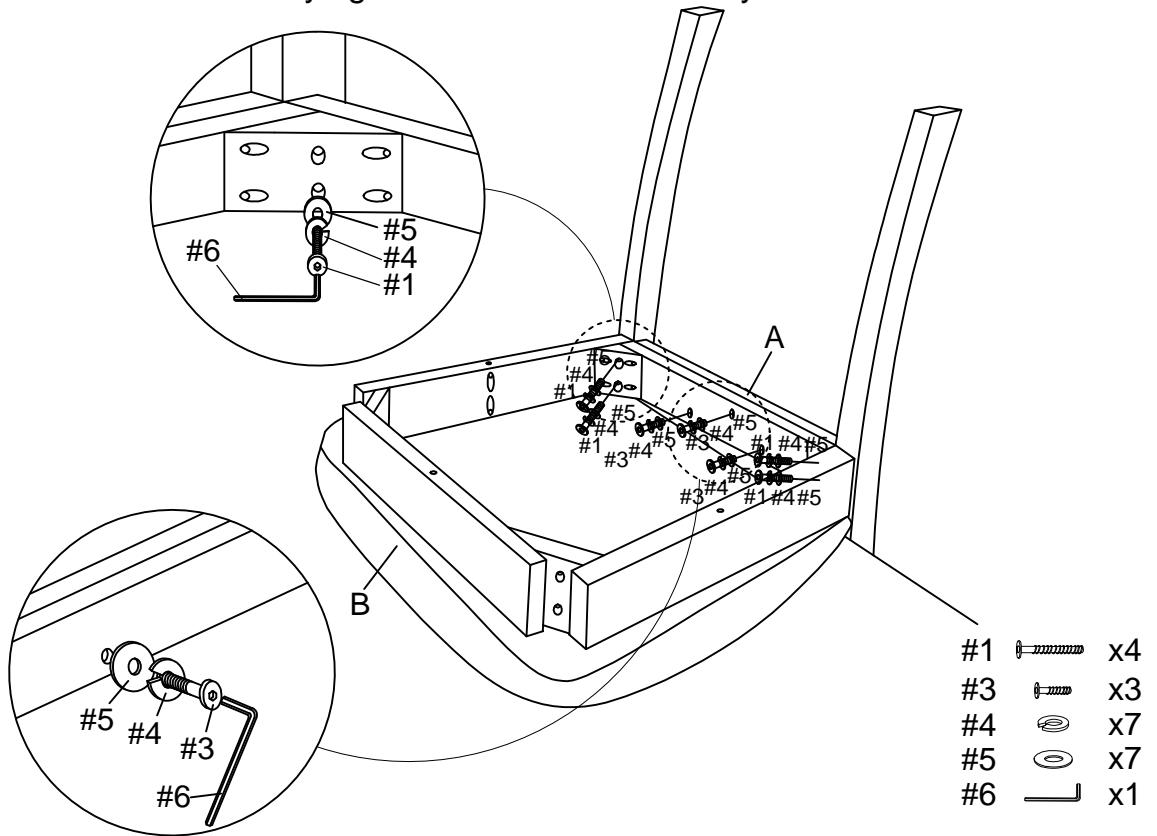
HARDWARE LIST

<p>#1</p> 	<p>#2</p> 	<p>#3</p> 	<p>#4</p> 	<p>#5</p> 
<p>M6 x 80mm Long Bolt 8 PCS (Extra 1)</p>	<p>M6 x 60mm Bolt 8 PCS (Extra 1)</p>	<p>M6 x 40mm Short Bolt 6 PCS (Extra 1)</p>	<p>Spring Washer 22 PCS (Extra 1)</p>	<p>Flat Washer 22 PCS (Extra 1)</p>

<p>#6</p> 
<p>M4 Allen Wrench 1 PC</p>

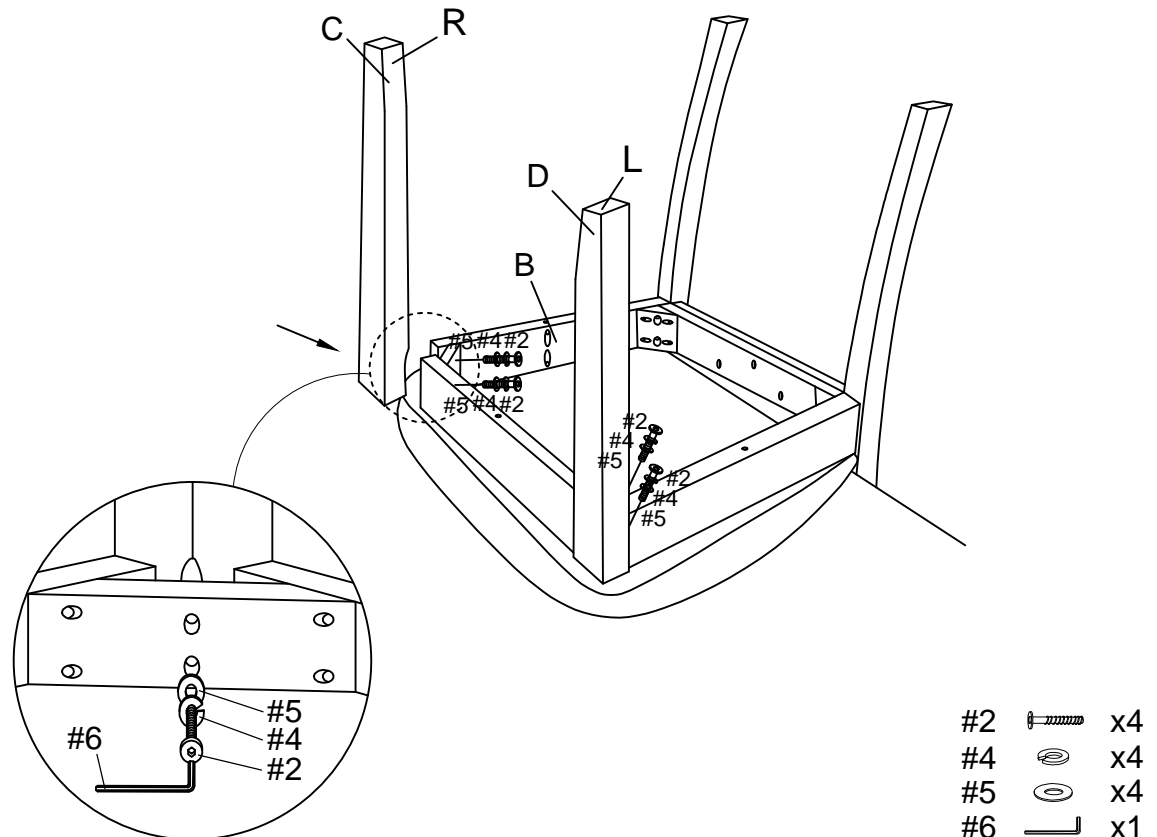
Step 1 . Attach seat (part B) to back (part A) using long bolts (part #1), short bolts (part #3), spring washers (part #4), flat washers (part #5) and allen wrench (part #6).

NOTE: Please do not fully tighten bolts until unit is fully assembled.



Step 2 . Attach legs (parts C & D) to seat (part B) using bolts (part #2), spring washers (part #4), flat washers (part #5) and allen wrench (part #6).

NOTE: Please fully tighten all bolts at this time.



Step 3. Carefully turn unit upright. Repeat steps 1-2 to assemble remaining chair.

